

LED Grow Light

CSNJ Technologies(Shenzhen) Co.,Ltd.

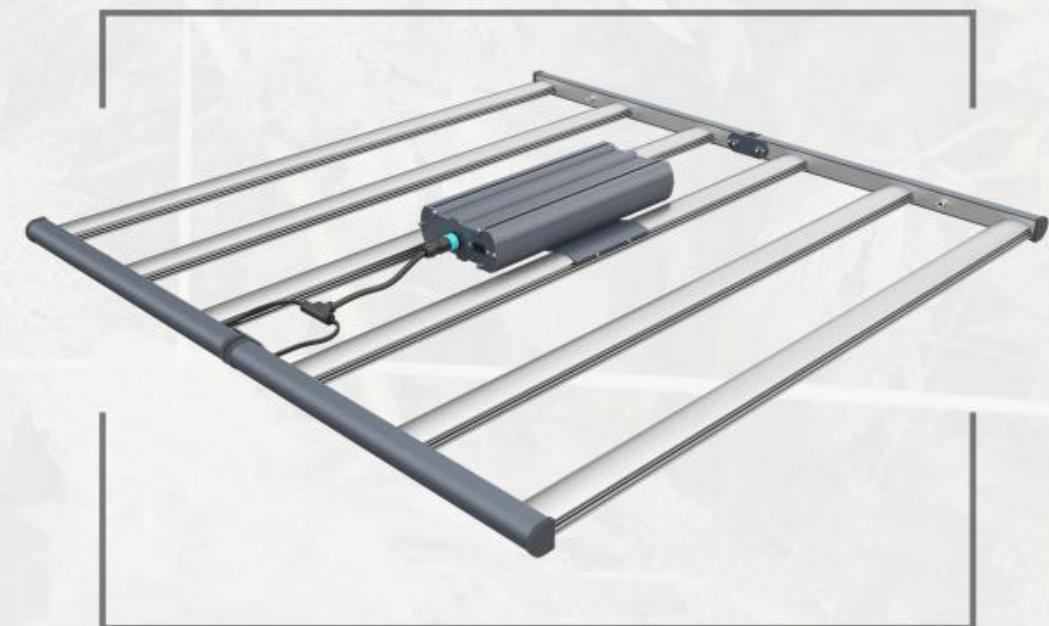
Add : Bld.,1-4,Tong Fu Yu Industrial Park, Aiqun Rd.,Bao An District, Shenzhen

Email : marswei@csnjtech.com

Tel : 86-755-85278320

Mob : 86-15013684131

Web : www.csnjtech.com



Company Profile

CSNJ Technologies(Shenzhen) Co.,Ltd is a Hi-tech company and specialized in design and manufacturing LED lighting products. Our product portfolio covers LED Grow Light for cannabis industry, Wall Washer, Linear Light and Flood Light for landscape industry.

With over 10 years experience in LED lighting industry, the team focus on innovation on product design, quality control on process, and continuous optimization on supply chain to provide customer innovated and high quality products as well as competitive price and flexible service.

In order to ensure the product quality, performance and reliability, the company established Lab equipped with all necessary instruments and devices, such as IES, Integrating Sphere, High & low temperature reliability test system, Hi-pot, Vibration test, Salt Spraying Tester, Waterproof Test Equipment etc ... With these facilities, not only can customer requirement be responded quickly, but also all products developed are validated of high quality. For example, for DVT the environmental temperature inside chamber is set on 45°C for landscape products and 40°C for grow lights with a circle 12 hours at least. In this way the product is ensured be working at even much worse environment...



Contents

01 Introduction

02 Overview

03 Specifications

04 Details

05 Applications



Long life circle



High efficacy



IP65 waterproof

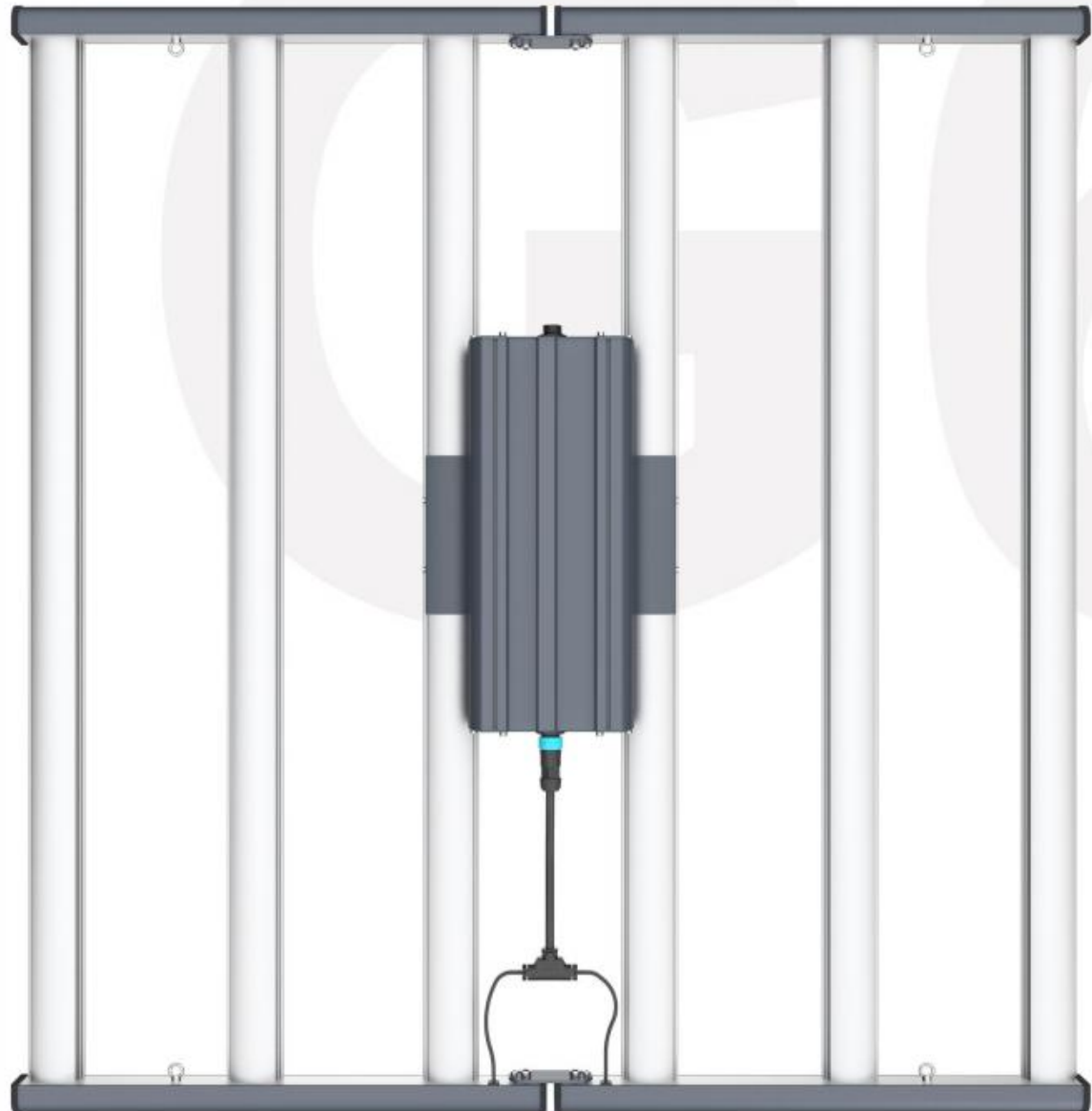
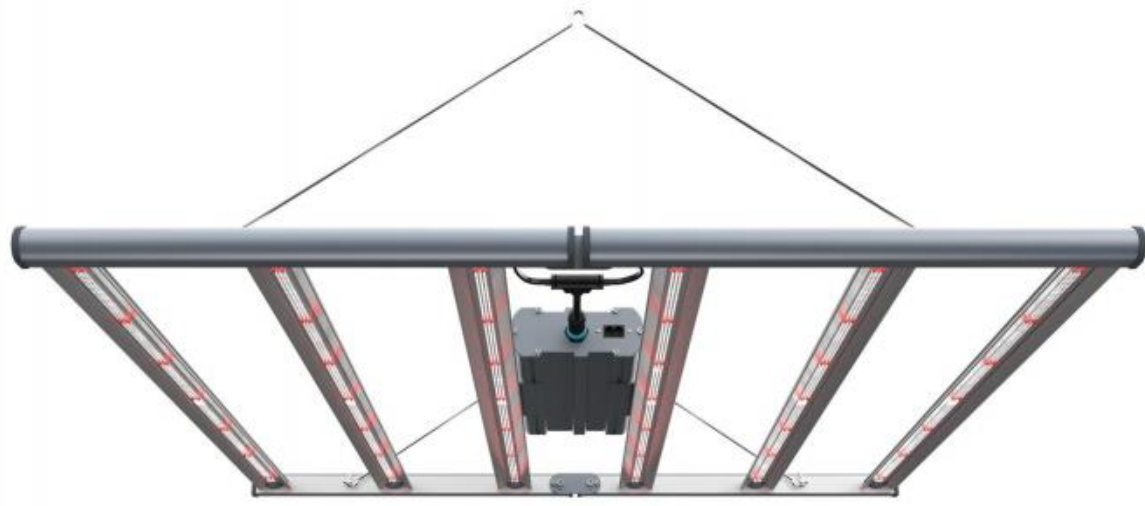


Environment friendly &
Energy saving

Introduction

Apollo G630/G800 is a planting solution specially designed for high performance and high quality growers. It uses 0 ~ 10V / PWM / Timer dimming function to control PPFd to meet every growth stage of the plant. It's designed for herbs, ornamental plants, leaf vegetables and fruits growing for vertical farm, is the best replacement to traditional Halogen lamps and Sodium lamps. With ultra-thin and folding design, It provides easy transportation and installation.





Overview

Features

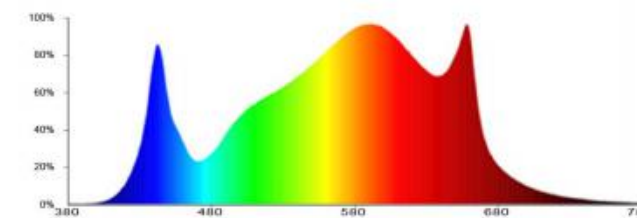
High performance and high quality product to replace traditional Halogen lamps and Sodium lamps, with ultra-thin and folding design for easy transportation and installation.

Color Palettes

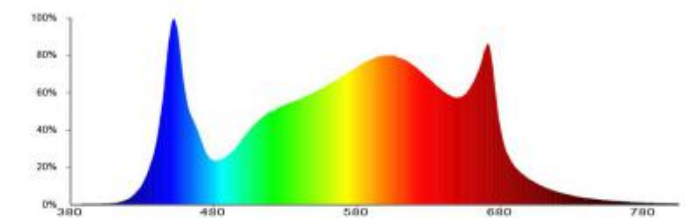


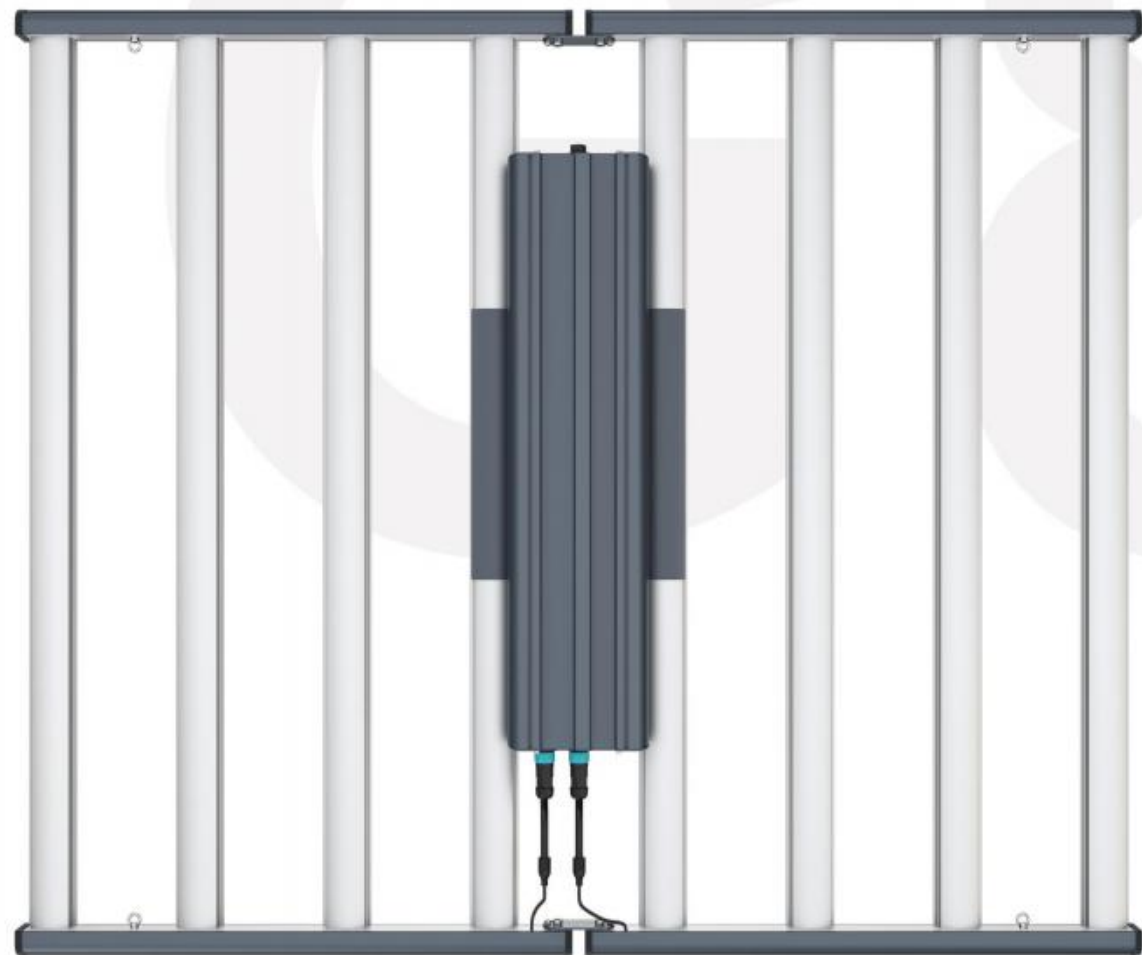
Spectrum Graph

Indoor



Greenhouse





Overview

Features

High performance and high quality product to replace traditional Halogen lamps and Sodium lamps, with ultra-thin and folding design for easy transportation and installation.

Color Palettes

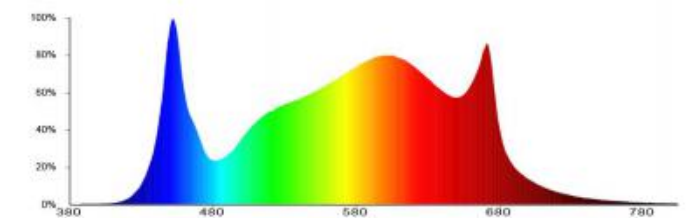


Spectrum Graph

Indoor



Greenhouse



Apollo G630 Grow Light

Product Specification /

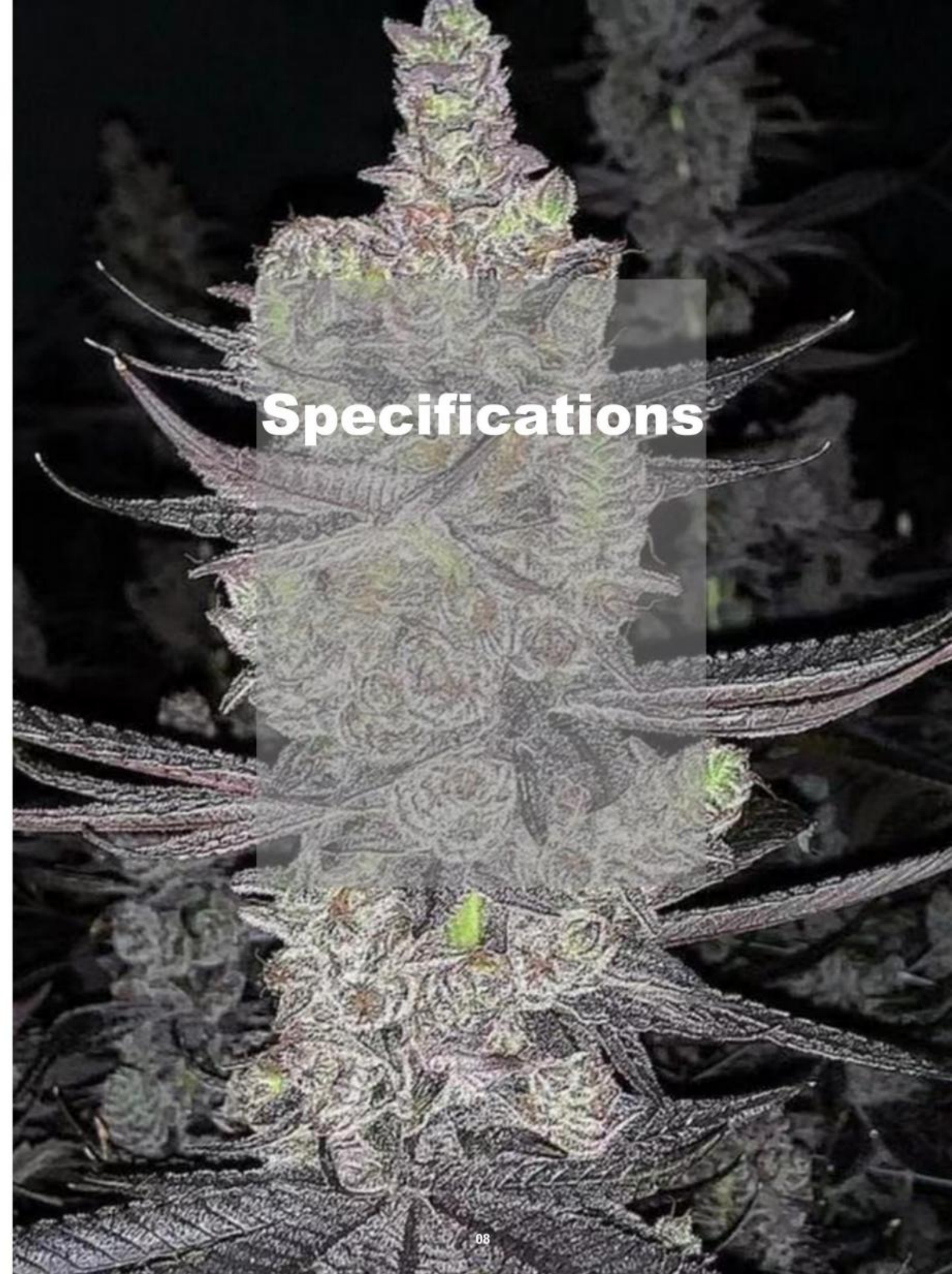
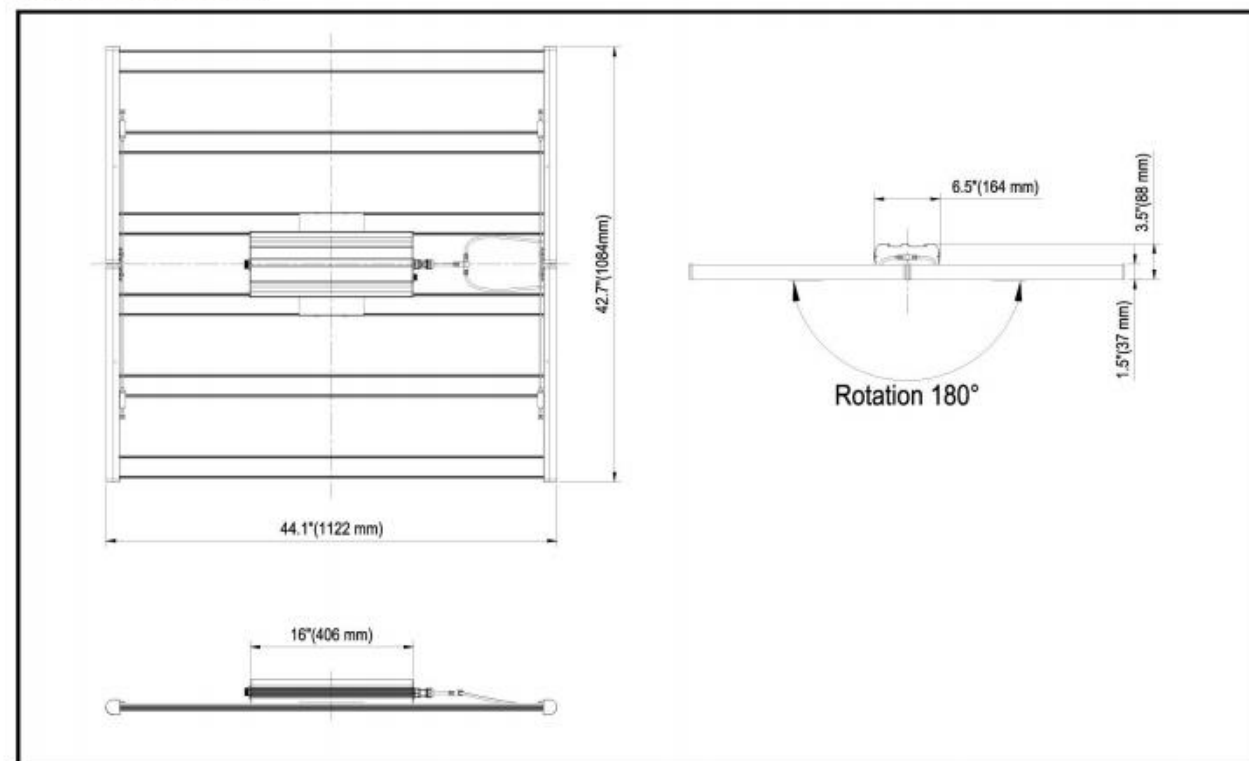
Model No. /	LED Type /	Dimming /
G630	2835/3030/3535	0-10V/PWM/Timer Dimming
PPF /	Efficacy /	Input Voltage /
1668 μ mol/s	2.65 μ mol/J	90-305VAC/127-300VDC
Input Power /	Power Factor /	Fixture Dimension/Weight /
630W	>0.95	44.1" x 42.7" x 3.5"/29.1lb
Spectrum /	Mounting Height /	Thermal Management /
Full spectrum	>6" above canopy	Passive
Lifetime /	Warranty /	Operating Temperature /
>50000H	5 years	-4°F — +104°F/-20°C — +40°C

Certifications /

ETL (NO.5020037)

MAX Current by Voltage /	120V	207V	240V	277V
Amperage /	5.25A	3.05A	2.63A	2.27A

Fixture Dimension /



Apollo G800 Grow Light

Product Specification /

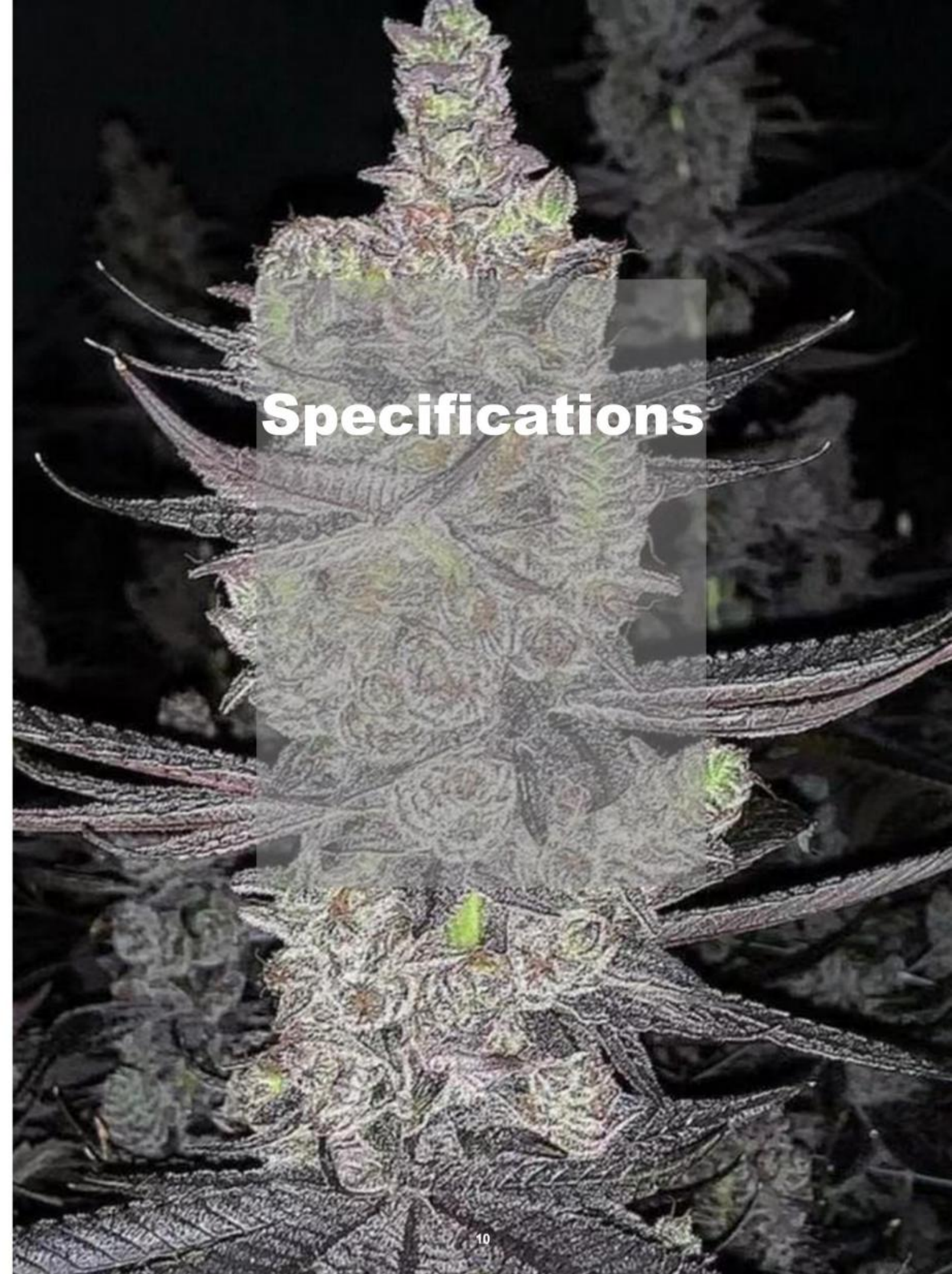
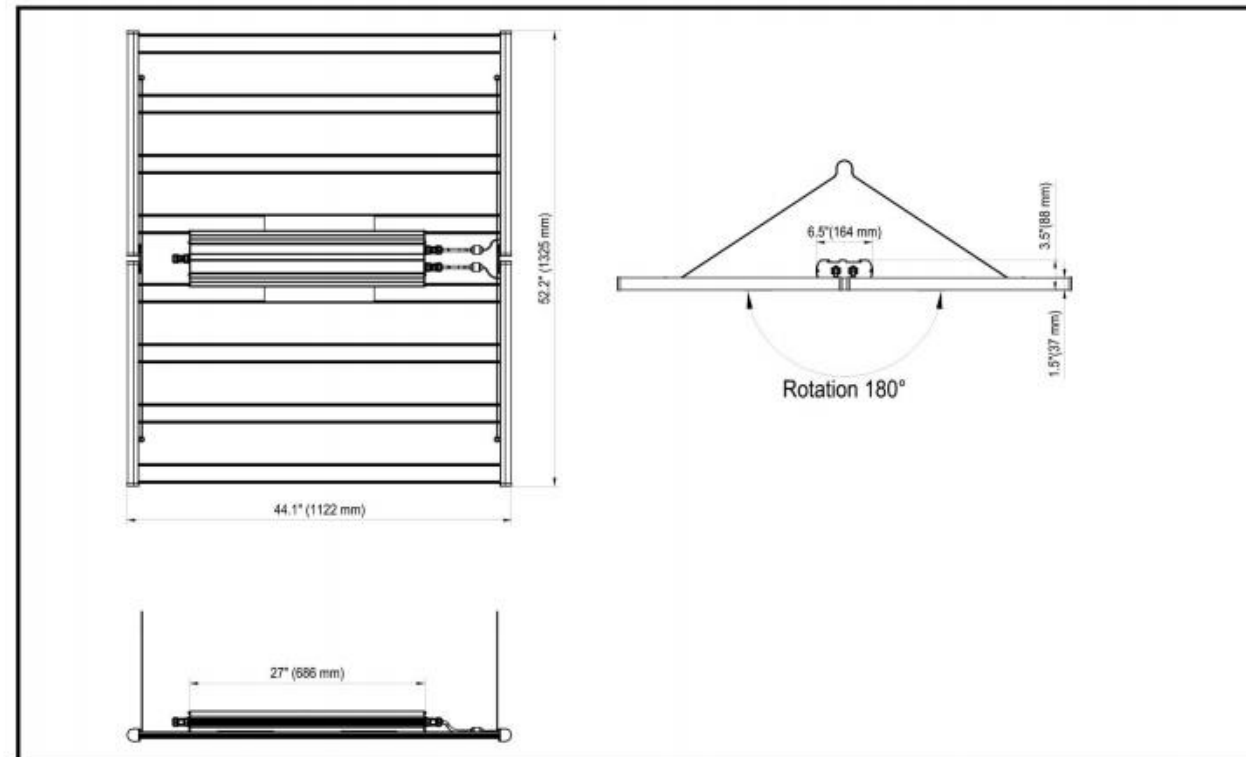
Model No. /	LED Type /	Dimming /
G800	2835/3030/3535	0-10V/PWM/Timer Dimming
PPF /	Efficacy /	Input Voltage /
2160 μ mol/s	2.7 μ mol/J	100-277VAC/127-300VDC
Input Power /	Power Factor /	Fixture Dimension/Weight /
800W	>0.95	44.1" x 52.2" x 3.5"/39.5lb
Spectrum /	Mounting Height /	Thermal Management /
Full spectrum	>6" above canopy	Passive
Lifetime /	Warranty /	Operating Temperature /
>50000H	5 years	-4°F — +104°F/-20°C — +40°C

Certifications /

ETL (NO.5020037)

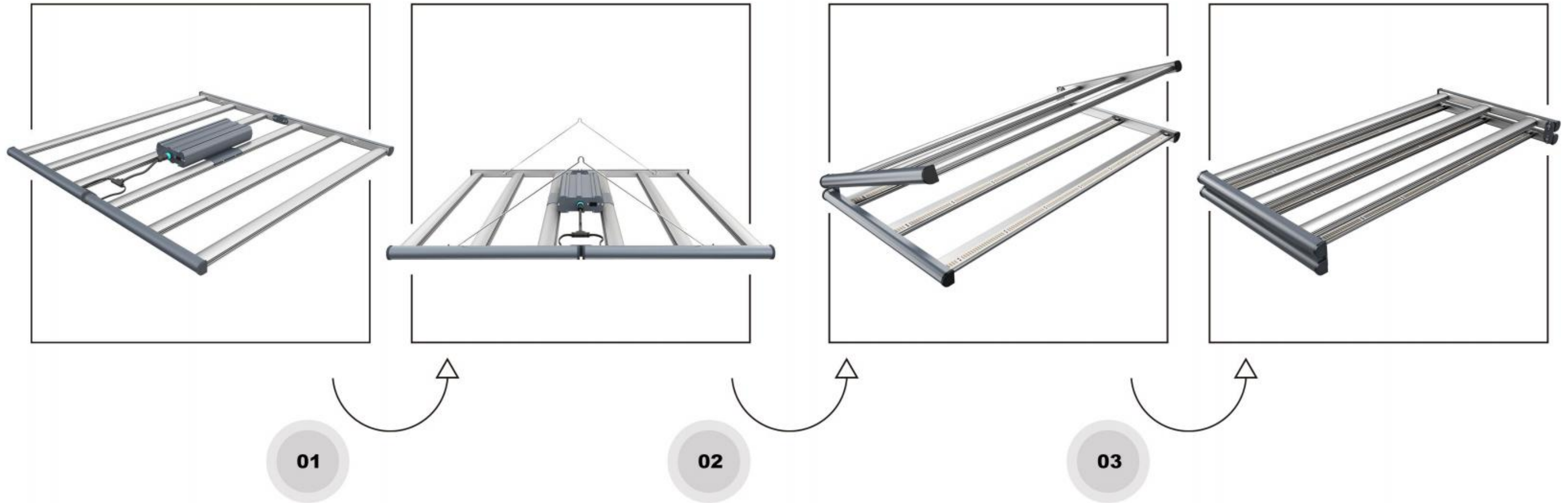
MAX Current by Voltage /	120V	207V	240V	277V
Amperage /	6.67A	3.86A	3.33A	2.89A

Fixture Dimension /



Details

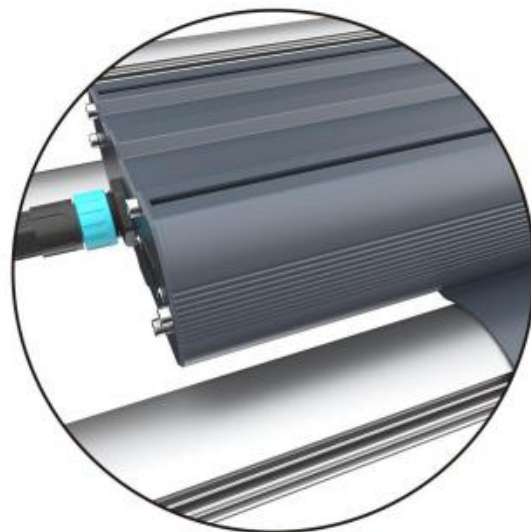
Folding and assembling



Close-up views



Cable ASSY



Wire Terminal

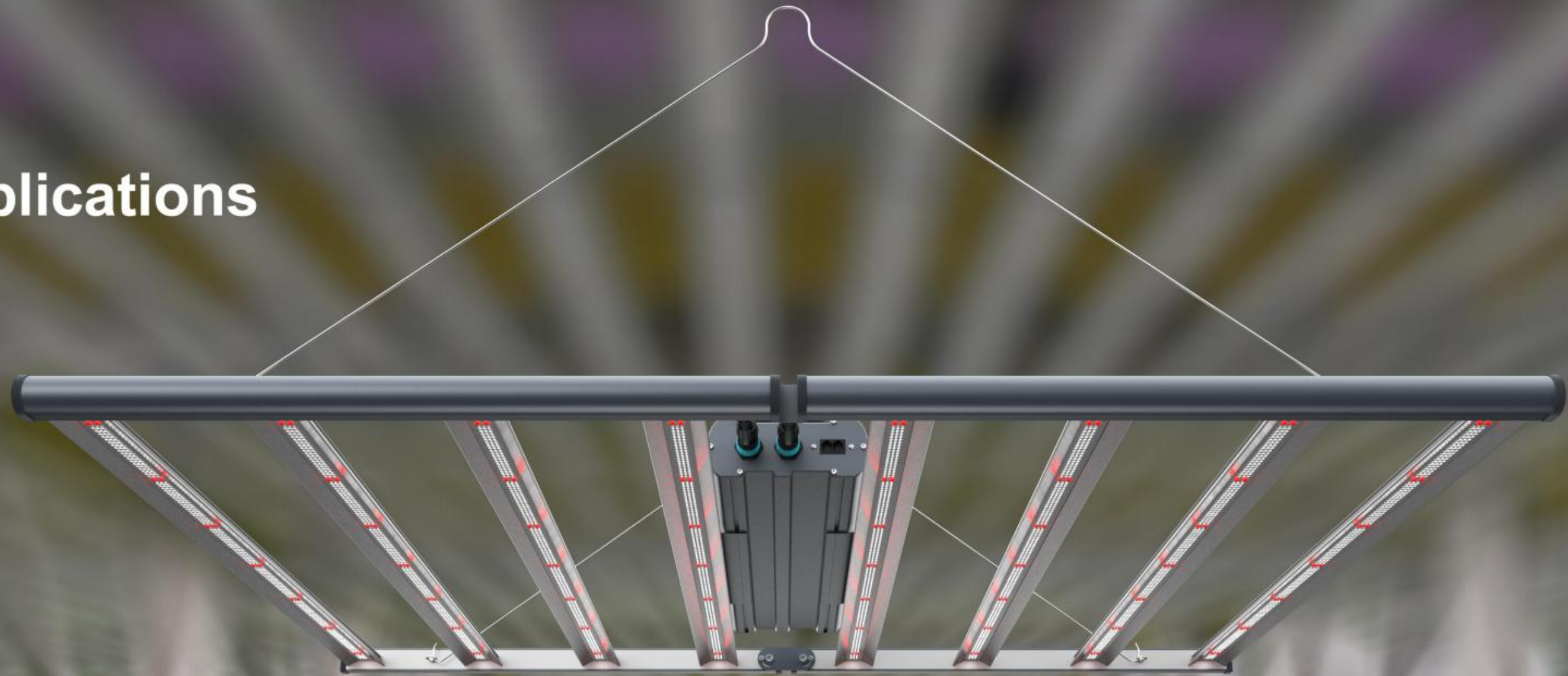


Power Driver



LED Plate

Applications



Apollo Series
Over 10 Years'
PRODUCTION EXPERIENCE